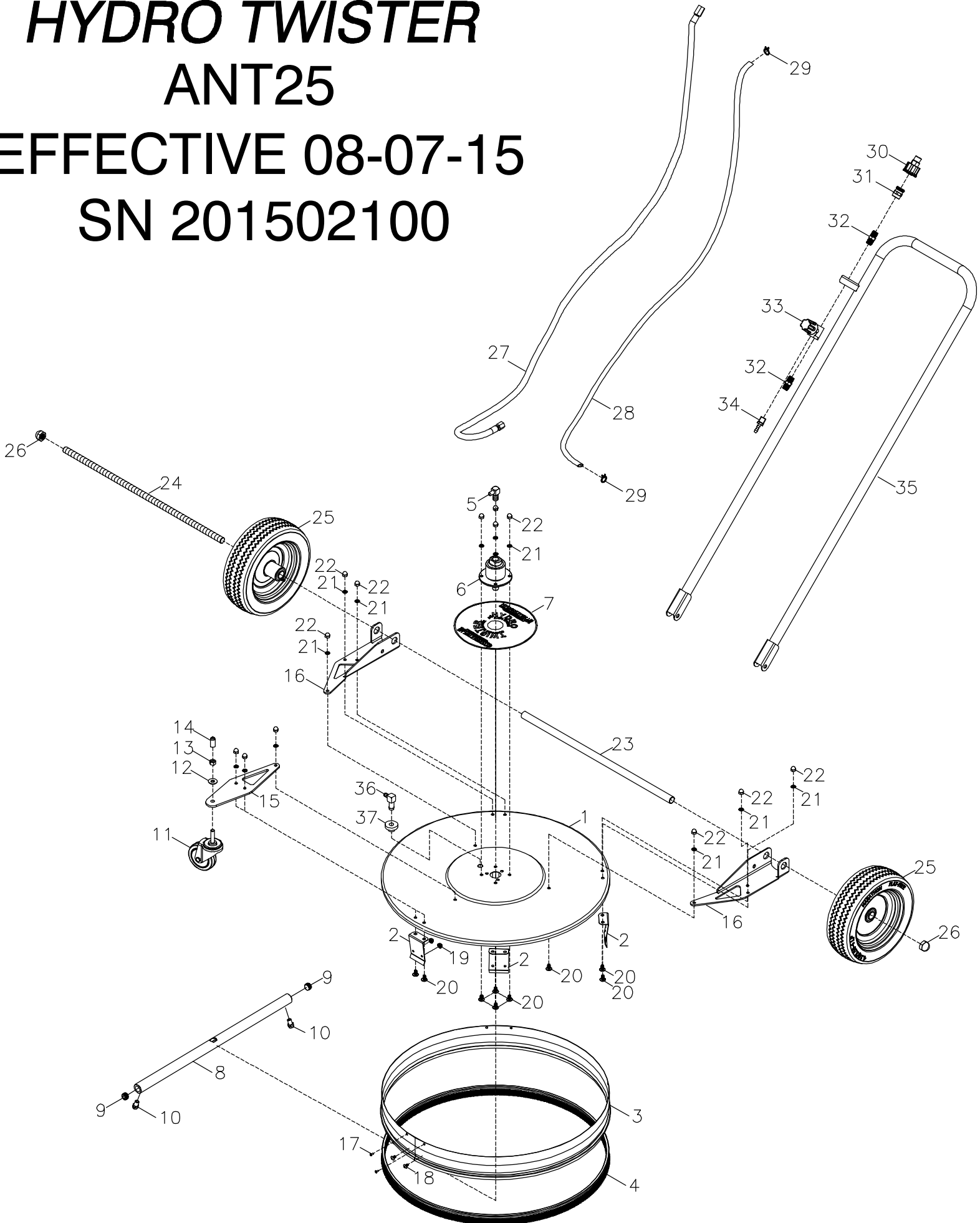


HYDRO TWISTER ANT25

EFFECTIVE 08-07-15

SN 201502100



ANT25 PARTS LIST S/N 201502100 08-07-15

1	HLS64-1	DECK -24.00 ROUND 18 GA STNLS
2	HLS64-2	BRUSH RETAINER 18 GA. STNLS
3	HLS65	SKIRT- ANT24 20GA. STAINLESS
4	HLH24	BRUSH 24.00 DIA x 1.00
5	D5545	STREET ELL 1/4"MPT x 1/4"JIC
6	VA003	SWIVEL: 1/4" 5000PSI 3500 RPM
7	GLL66	LABEL HYDRO TWISTER 10 x 10.75
8	NSB01	ROTATING SPRAY ARM 1.00 RND ALUMINUM
9	D1061	PLUG 3/8 FLUSH HEAD HEX STEEL
10	NM270	NOZZLE 027 x 15 x 1/8 MEG
11	HT300	CASTER 3DIA x 7/8" TREAD WIDTH
12	FWC05	WASHER CUT 5/16" PLD
13	FNR06	NUT 3/8-16 PLD
14	HLC16	CASTER CAP; TWISTERS 1 .343 BL
15	HLS69	FRONT CASTER BRACKET 3/16 MS
16	HLS66	TIRE MOUNTING BRACKETS 10 GA.MS
17	FP340	POP RIVET 3/16 x 1/4 SS
18	FB316	SCREW 10-24 x 3/8 SS TRUSS
19	FNF10	NUT FLANGE SERATED 10-24 STAINLESS
20	FB419	BOLT 1/4" x 1/2" PHIL HD SLT STNL
21	FWT04	WASHER INT TOOTH 1/4 SS
22	FNA40	NUT ACORN 1/4-20 STNLS
23	HSS83	AXLE SLEEVE 3/4 x 21.375
24	HSS84	AXLE THREADED ROD 5/8 x 22.75
25	HT104	TIRE, LOW PRO FLAT FREE 4 x 10
26	FNA09	NUT ACORN 5/8-11 NICKEL
27	DTW04	HOSE ASSEM. 1/4" x 63" 5000psi (HIGH PRESSURE)
28	DHP08	HOSE: 1/4 FUEL 50 PSI FLEXIBLE (LOW PRESS) x 4.313 FT
29	FC104	HOSE CLAMP WIRE 1/4
30	DQ74T	M22 TWIST COUPLER 1/4" MALE
31	DQ74F	TWIST COUPLER 1/4 PLUG FEM-sut
32	DB504	NIPPLE 1/4" STEEL
33	VWD70	VALVE/KNOB ADJ PRESSURE
34	D8044	BARB; HOSE; 1/4; BRASS .312
35	HNH24	HANDLE - HOOP TYPE - ANT25
36	DFE04	FUEL TANK ELL 14
37	DFF04	FUEL TANK BUSHING 1/4
	VA006	REPAIR KIT, VENTURI NOZZLES-tungsten/carbide (NOT SHOWN)
	VA007	BEARING KIT (NOT SHOWN)
	VF054	HIGH PRESSURE STRAINER (NOT SHOWN)