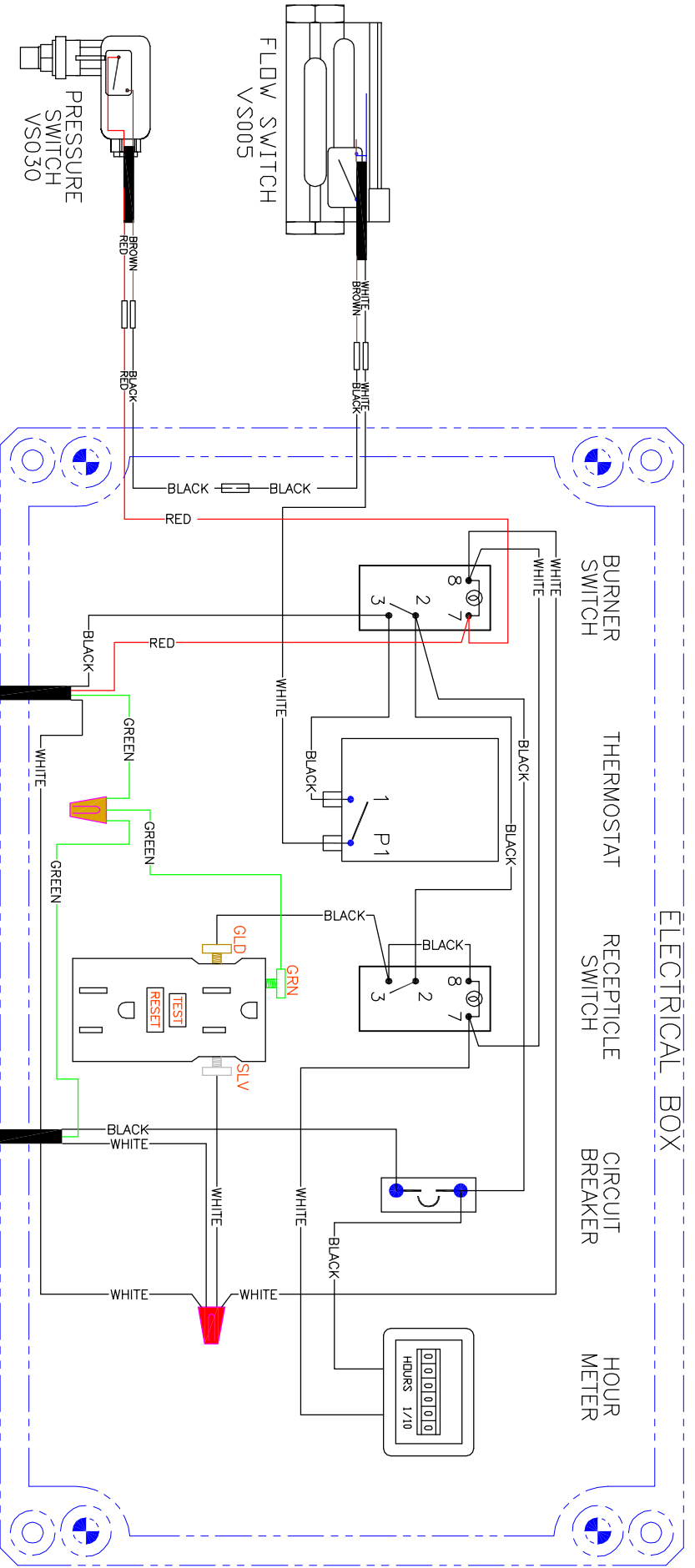


ELECTRICAL BOX



SCU30009KAF SCU32007VG
 SCU30009HAF SCU35008HAF

HYDRO TEK SYSTEMS, INC.
 HYDRO TEK SYSTEMS, INC.
 2353 ALMOND AVE.
 REDLANDS, CA 92374
 PH. (909) 799-9222 FAX (909) 799-9888

DRAWING: SCU35009VAF/SCU35009KAF
 DRAWING NUMBER: W-SCU35009VAF
 SCALE: NONE DATE: 4-22-09
 DRAWN BY: TOM BEIGHEY REV. 8th
 APPROVED BY:

DATE: ECO: REV: DATE: ECO: REV:
 02-25-12 0274 A
 9-15-14 2632 B

REVISIONS:

115VAC 1φ

14/4

14/3

GENERATOR

BURNER

FUEL SOLENOID 115 VAC

IGNITION TRANSFORMER 115 VAC

BURNER MOTOR 115 VAC

FLOW SWITCH VS005

PRESSURE SWITCH VS030

BURNER SWITCH

THERMOSTAT

RECEPTACLE SWITCH

CIRCUIT BREAKER

HOUR METER