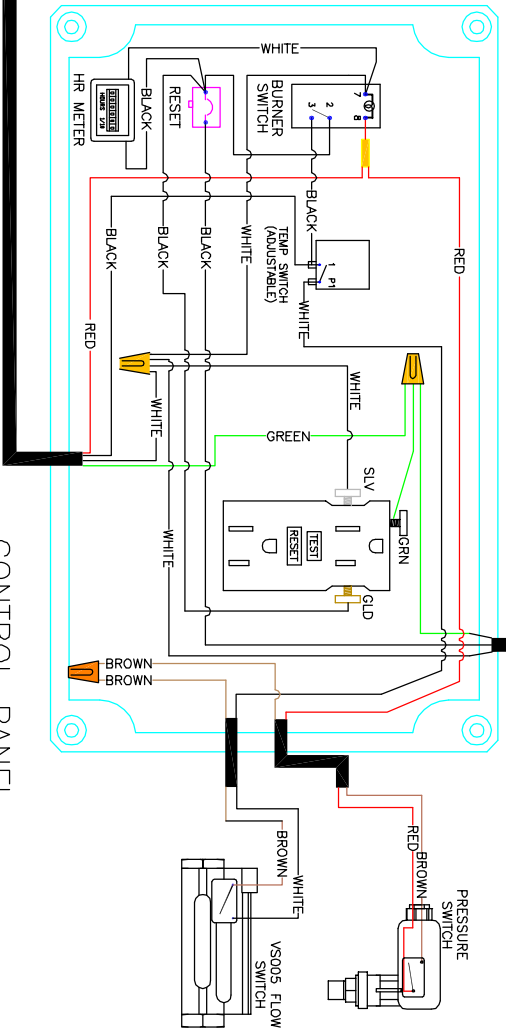
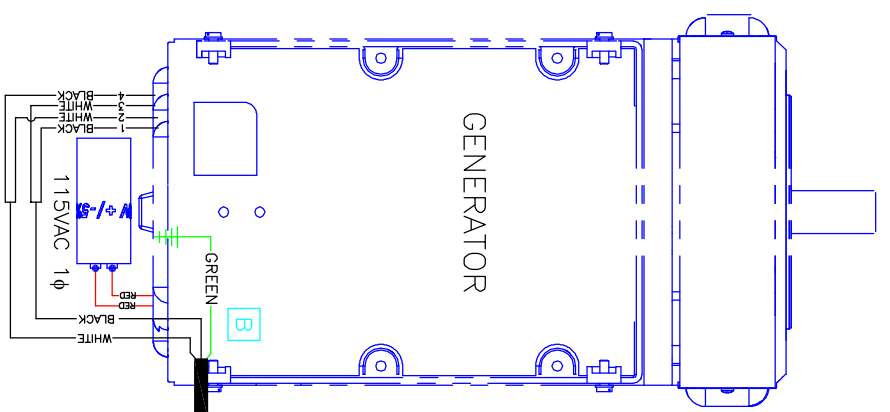
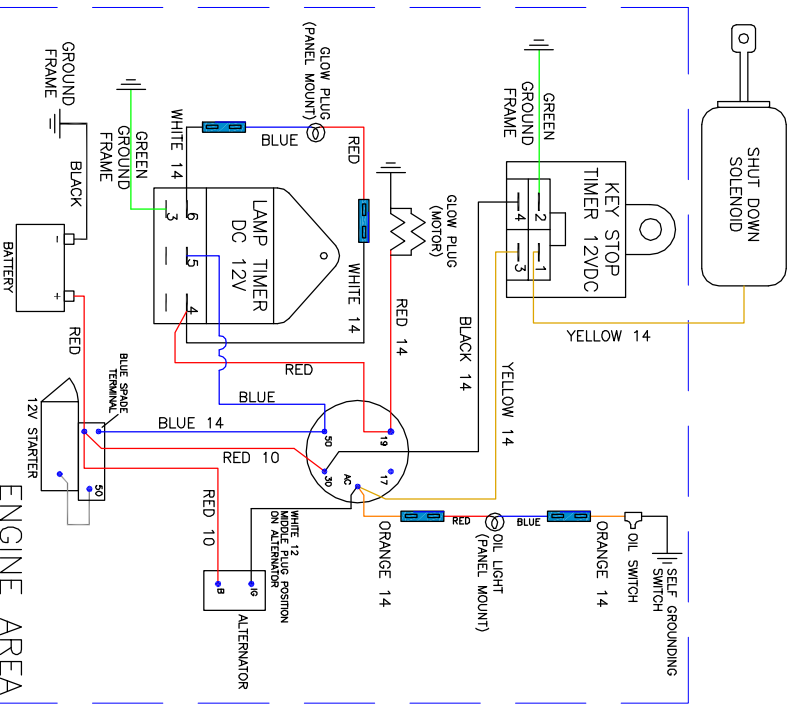
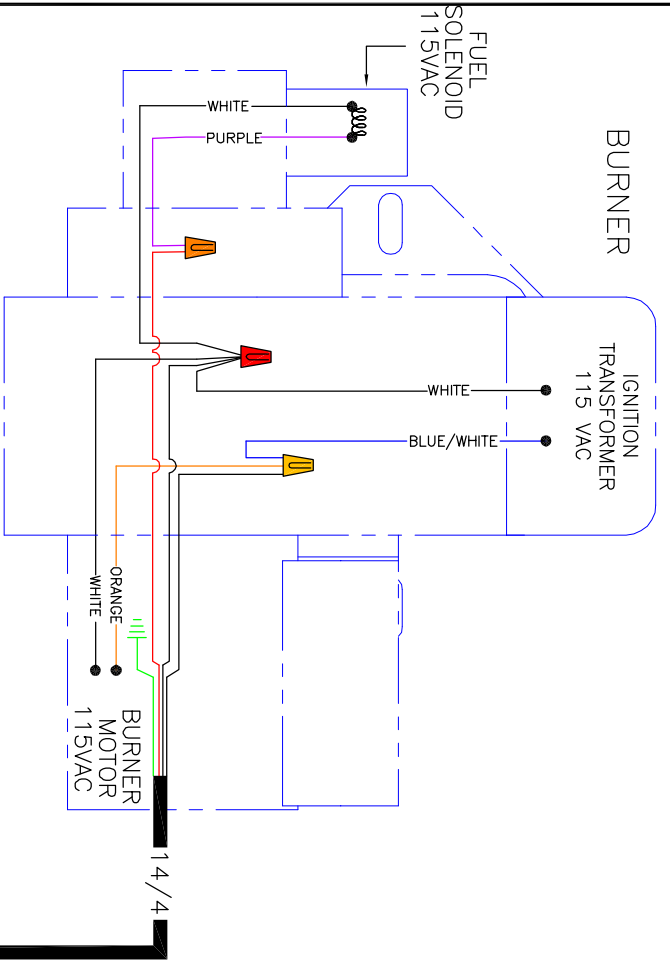


REVISIONS:			
DATE:	ECO:	REV:	DATE:
02-25-12	0274	A	
9-15-14	2632	B	

SC35006DAF SC40006DAF
 SC25009DAF SC50005D



CONTROL PANEL