

INCOMING POWER

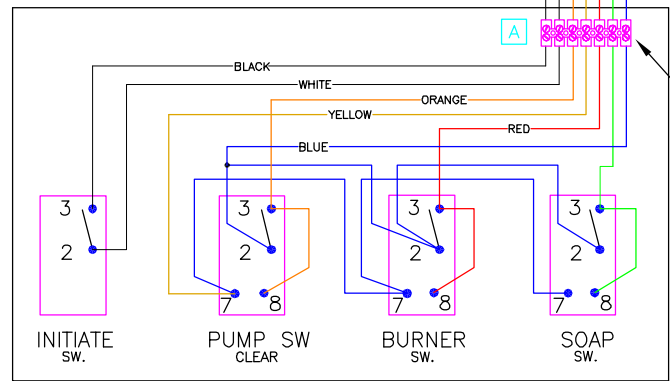
EC116

230V
WHITE
208V

TRANSFORMER POWER
SUPPLY SWITCH;
SELECT CORRECT VOLTAGE
POSITION PRIOR
TO OPERATING.
(208 OR 230/240 VAC)

WIRES ARE ROUTED THRU
HOLE NUMBER 4.

ET860 TERMINAL STRIP



REMOTE

HYDRU TEK SYSTEMS, INC. 2353 ALMOND AVE. REDLANDS, CA 92374 PH. (909) 799-9222 FAX (909) 799-9888	
DRAWING: HN21004E3R DRAWING NUMBER: W/ 24V RELAY SCALE: NONE DATE: 08-21-08 DRAWN BY: MICHAEL SLANEY REV. BY: TMB APPROVED BY:	
REVISIONS:	
DATE:	ECO: REV: DATE: ECO: REV:
09-18-08	2080 A 2-3-09 2124 C
10-07-08	2089 B
HN22005E3R HN22004E3R(P) HN25004E3G HN35005E3G HN35005E3C	