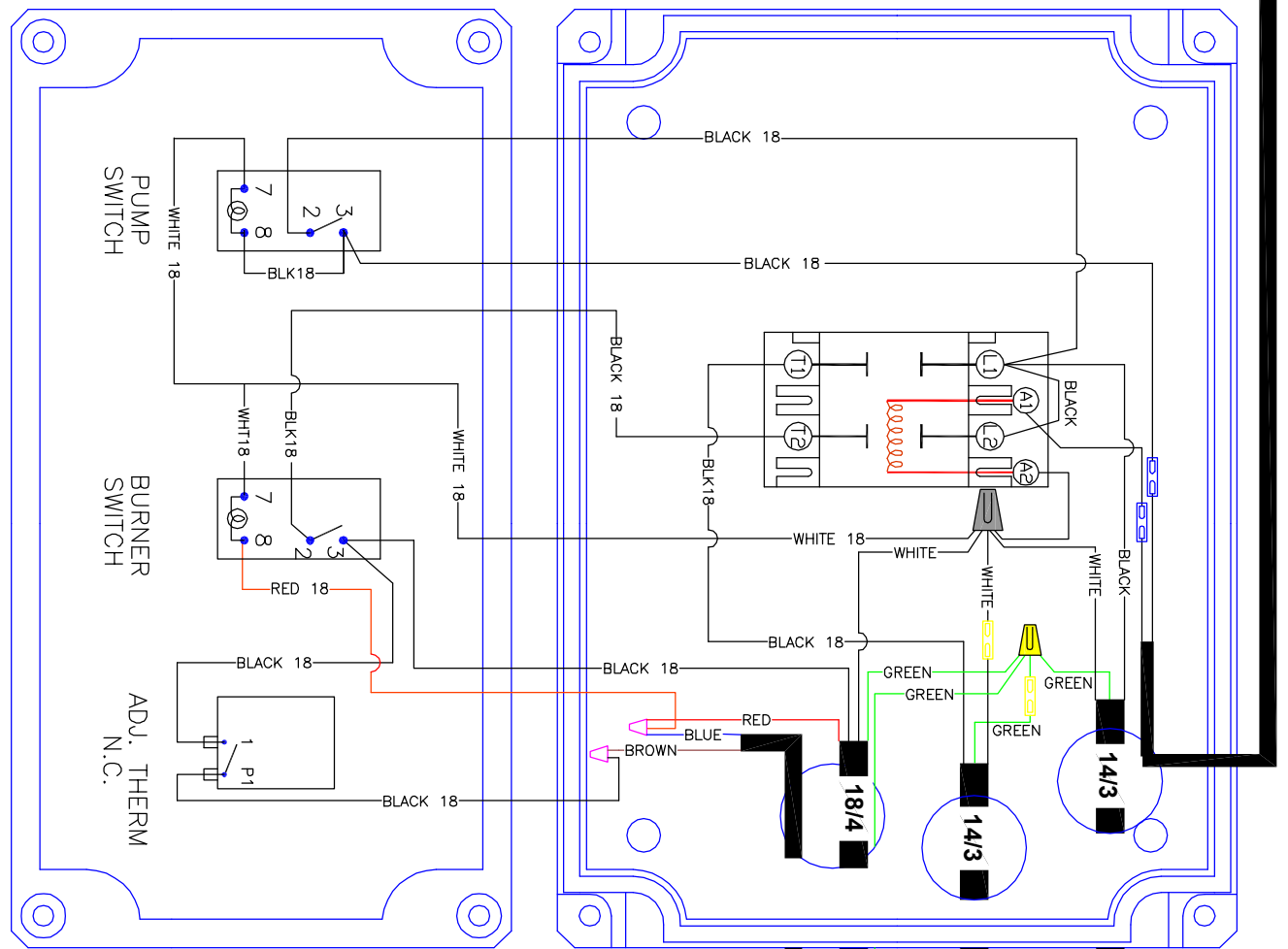
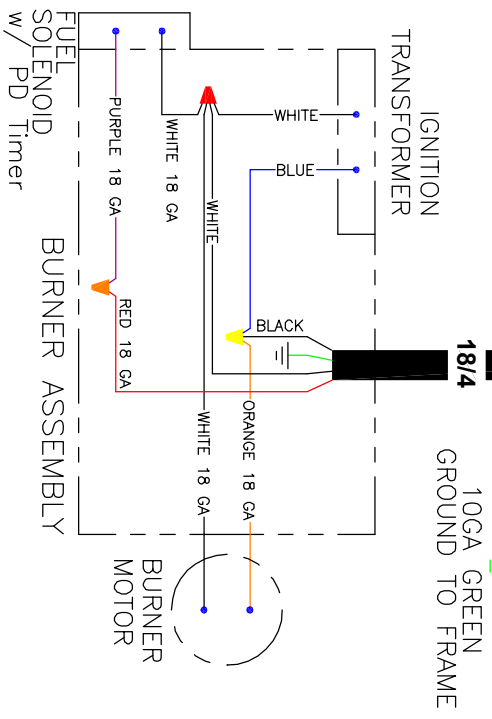
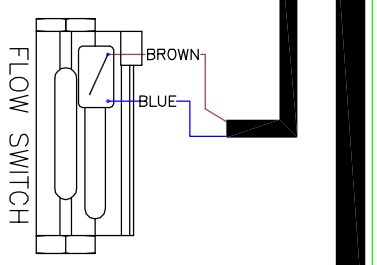
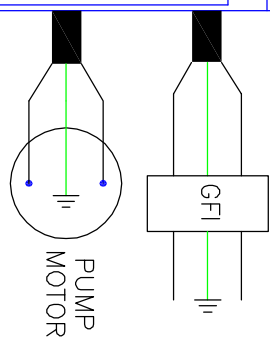


AT UNLOADER SWITCH



POWER SUPPLY
115 VAC 20A
1 PHASE



HYDRU TEK SYSTEMS, INC.
 2353 ALMOND AVE.
 REDLANDS, CA 92374
 PH. (909)799-9222 FAX(909)799-9888

DRAWING: HD15002E1-ITS
 DRAWING NUMBER: W-HD15002E1-ITS
 SCALE: NONE DATE: 03-12-14
 DRAWN BY: ALAN GREER REV. BY:
 APPROVED BY:

REVISIONS:	DATE:	ECO:	REV:	DATE:	ECO:	REV: