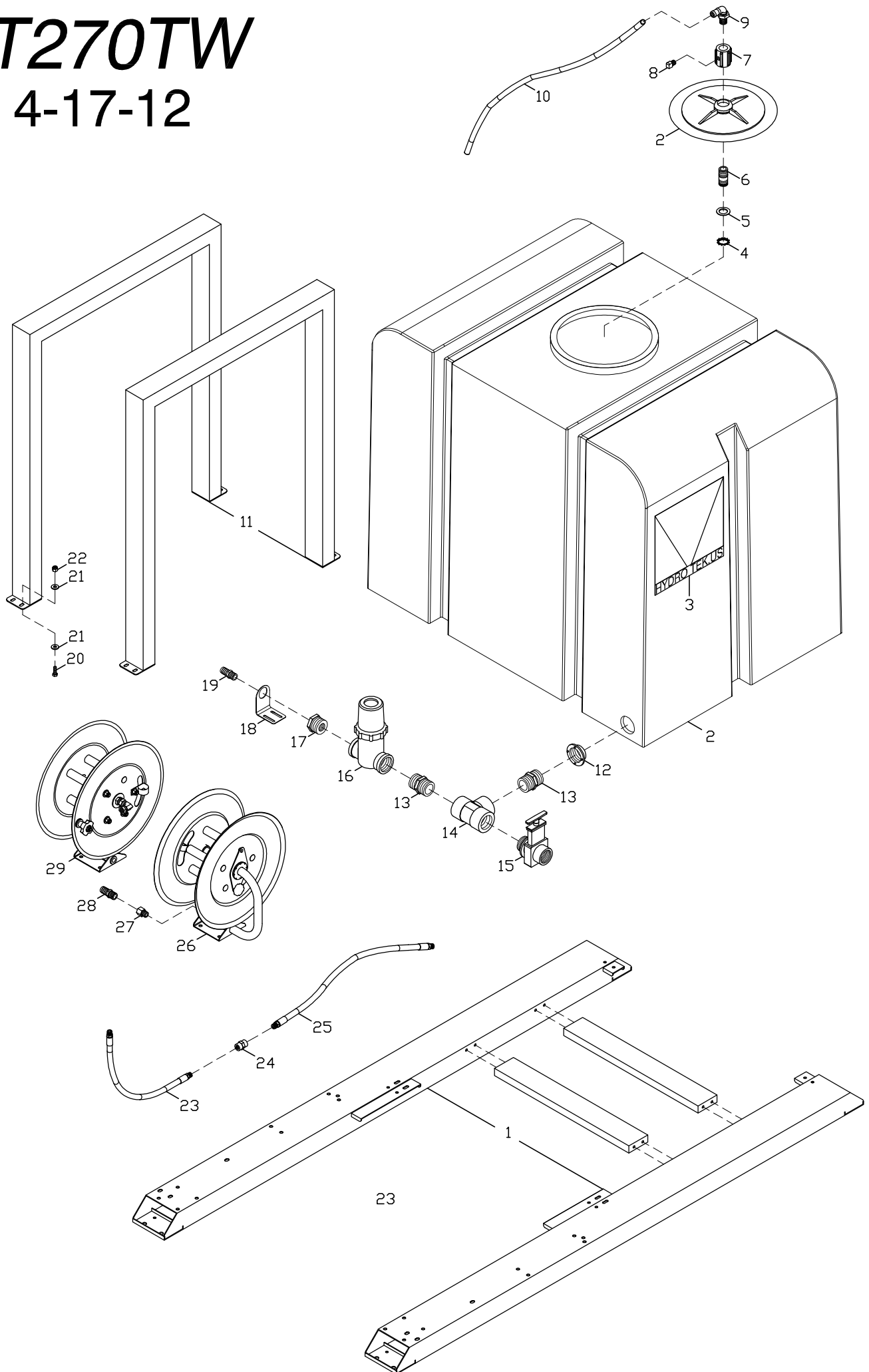


T270TW

4-17-12



T270TW PARTS LIST 4/17/12

1	HT270	FRAME ASSEMBLY T270T 270 GAL TANK
2	WT265	WATER TANK 270G
3	GLL37	LABEL HT LOGO, CLEAR, 11.75" x 11.75"
4	EWN12	3/4 CONDUIT LOCKNUT
5	FWC16	WASHER 1" ID PLATED
6	DB342	NIPPLE 3/4 x 2 1/2 PVC 80
7	D3120	COUPLING 3/4 POLY
8	DHS90	INVERTED FLARE 90 DEGREE
9	D5617	HOSE BARB 3/4MP x 3/4HB 90 POLY
10	DHL12	HOSE ; 3/4 BLACK INLET 200 PSI
11	HT303	TANK STRAP 265 GAL (2 REQ)
12	DSW25	SPIN WELD FITTING 1 1/2 FLUSH
13	D2150	NIPPLE 1 1/2 POLY
14	DAT15	POLY TEE 1 1/2
15	VVB10	GATE VALVE 1 1/2 PVC
16	VF150	FILTER 1 1/2" T TYPE 180 MICRON
17	D1615	BUSHING, REDUCING 1 1/2 x 3/4
18	HS061	TRAILER VALVE/ STRAINER SUPPORT
19	D8120	HOSE BARB 3/4 BRASS
20	FB516	BOLT 5/16 x 1 PLATED
21	FWC05	WASHER CUT 5/16" PLATED
22	FNL05	NUT LOCK 5/16-18 PLATED
23	DH026	HOSE 3/8 x 26.5 4000 PSI
24	DD566	STEEL COUPLING 3/8 FEMALE
25	DH007	HOSE 3/8 x 48 4000 PSI
26	AR101	REEL BASE MOUNT LOW PRESSURE FOR T185TW
27	D4086	MALE ADAPTER 1/2F x 3/8M BRASS
28	D8128	HOSE BARB 3/4H x 1/2P BRASS
29	AR100	HOSE REEL 3500PSI BASE MOUNT