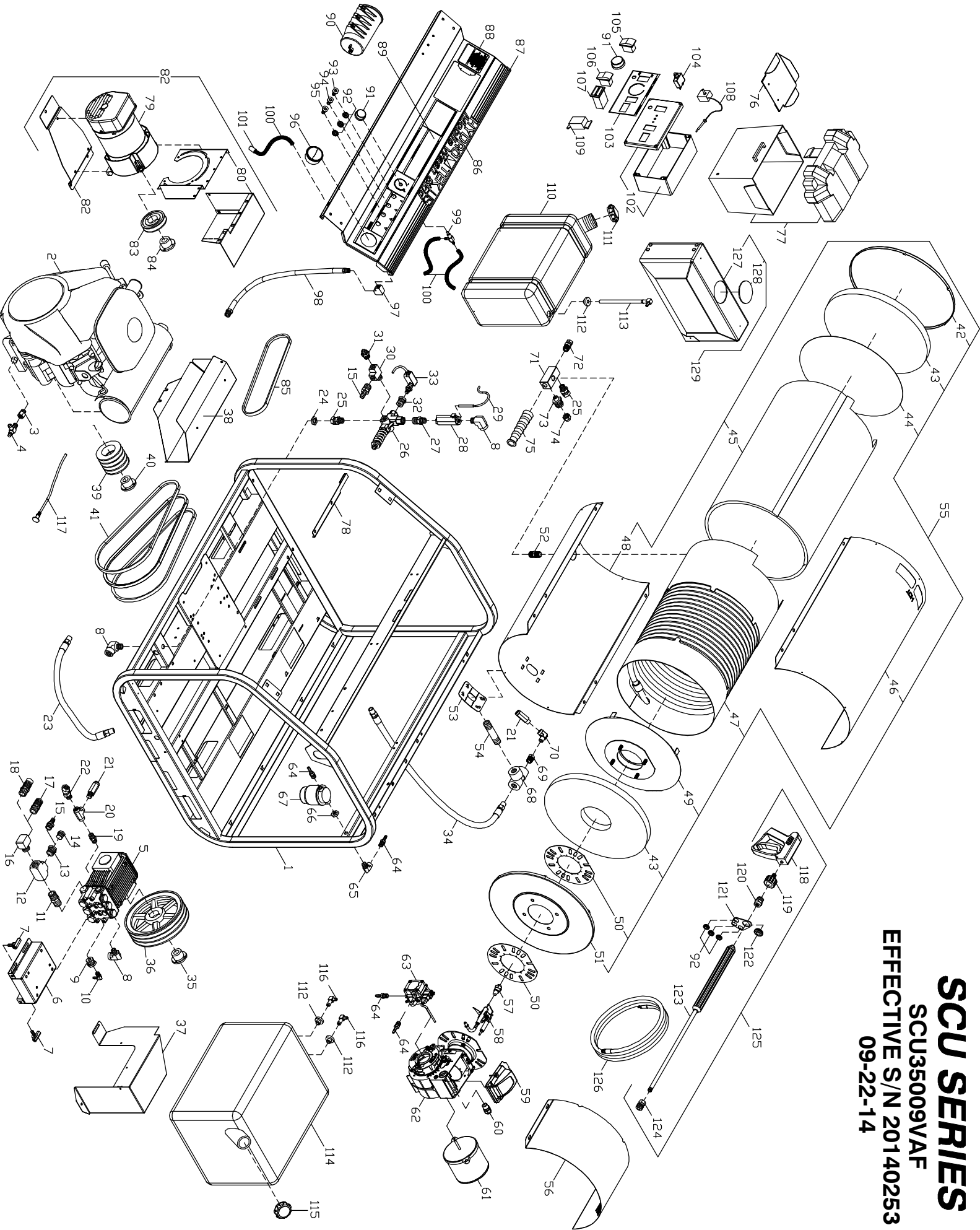


SCU SERIES

SCU35009VAF

EFFECTIVE S/N 20140253

09-22-14



SCU35009VAF PARTS LIST

S/N201402534

22-Sep-14

1	HSC14	SCU FRAME 14 STAINLESS (2008)	48	BD914	COIL WRAP BOTTOM EXTENEDED SCU 2014	94	NQ453	NOZZLE/QDC 045 x 25
2	MS290	ENGINE 896cc VANGUARD E/S W/MUFFLER	49	BD012	INSULATION DISC RETAINER W/HOLE	95	NQ454	NOZZLE/QDC 045 x 40
3	D4060	MALE ADAPTER 3/8 BRASS	50	BM035	BECKETT GASKET/UNIVERSAL	96	UG055	GAUGE; 5000psi DUAL SCALE; PN
4	MS007	OIL DRAIN VALVE 14MM				97	D5044	ELL 1/4 BRASS
5	PG585	PUMP TSF2021 23600 @ 8.5 GPM	51	BD016	END CAP W/HOLE	98	DH128	HOSE 1/4 x 26" 5000psi HN GAUGE. . .
6	HSC40	PUMP RAIL ASSEM. SCU-2008 MODELS	52	DB508	NIPPLE 1/2 STEEL	99	VVC10	CHEMICAL MET VALVE MV-100 MOD
7	HPR60	PUMP RAIL BOLT	53	B2324	COIL NIPPLE RETAINER	100	DHB04	TUBING; CLEAR BRAIDED; 1/4
8	DE586	STREET ELL 1/2F X 3/8M STEEL	54	BC850	BURNER NIPPLE 1/2 x 5 SCH 80			
9	D1127	BUSHING 3/4M x 1/4F BRASS	55	BC445	COIL ASM 6 SPIRAL EXTENEDED SCU	101	VF045	STRAINER CHEMICAL W/CHECK
10	D8040	HOSE BARB 1/4 90 ELBOW*	56	HHP15	BURNER RAINGUARD	102	HSC51	LASER CUT SC BOX ASM/TOP AND BOTTOM
			57	BZ326	FUEL NOZZLE 3.25 80A	103	GLL57	LABEL; SC/SS PANEL CONTROL BOX***
11	D2089	NIPPLE 3/4" BRASS	58	BME10	BURNER ELECTRODE BECKETT- PAIR	104	ECF10	CIRCUIT BREAKER 15 AMP*
12	D6120	TEE 3/4" BRASS (NOT POTTED)	59	BMT23	IGN TRANS, BECKETT 110 VAC SM	105	EC410	ROCKER SWITCH 110V RED SPST
13	D1128	BUSHING 3/4 x 1/2 BRASS	60	EWC08	STRAIN RELIEF 1/2 HEYCO (3/8)	106	EC411	ROCKER SWITCH 110V CLEAR SPST
14	D1080	PLUG 1/2" BRASS				107	EM601	HOUR METER 110V
15	D8088	HOSE BARB 1/2" BRASS* for INLET SOAP FUNCTION	61	BM513	BURNER MOTOR, BECKETT SM 110V	108	ECH55	THERMOSTAT; 60-190F***
16	D5512	STREET ELBOW 3/4" BRASS	62	BU600	BURNER; BECKETT SM 110V	109	EP154	GFCI DUPLEX RECEPTACLE 20 AMP
17	D8169	HOSE BARB 1 IN H X 3/4 P BRASS	63	BPA15	FUEL PUMP W/SOLENOID PD TM 120V	110	WT07R	FUEL TANK 8GAL RED
18	DJ045	ORIFICED BRB .453 3/4NPT x 1"H W/NYLN ORFC FR INLET SOAP	64	D8044	BARB HOSE, 1/4 BRASS			
19	DB506	NIPPLE 3/8 STEEL	65	DC043	STREET ELL 1/4 STEEL	111	WT08G	LARGE GAS CAP NONVENTED
20	DE066	TEE 3/8 STEEL	66	D7064	HEX NUT 1/4 BRASS	112	DFF04	FUEL TANK BUSHING 1/4
			67	BF020	FUEL FILTER, RACOR HYDRO TEK	113	DF599	FUEL TANK ADAPTER W/PLASTIC TUBE
21	UP045	PRESSURE RELIEF 4500+15% 500q	68	DE088	TEE 1/2 STEEL A105 FORGED	114	WT078	FUEL TANK 18 GAL DIESEL CLEAR*
22	DE606	SWIVEL 45 3/8M x 3/8F STEEL	69	DA086	BUSHING 1/2 x 3/8 STEEL	115	WT08D	LARGE DIESEL CAP VENTED
23	DH041	HOSE 1/2 x 22" 3500PSI	70	DC568	STREET ELL 3/8 STEEL	116	DFE04	FUEL TANK ELL 1/4
24	D7061	HEX NUT 3/8 BRASS-REMOTE UNLOADER				117	HL216	CHOKE CABLE
25	DE568	SWIVEL, 3/8F x 1/2M STEEL	71	HHA10	BLOCK 1.50 x 1.50 X 3.50 A108	118	VG200	TRIGGER GUN, INSULATED 4000psi
26	UU320	UNLOADER/REGULAR 4000 @ 21 GREEN SPRING	72	DE568	SWIVEL 3/8F x 1/2M STEEL	119	DQ74T	M22 TWIST COUPLER 1/4" MALE
27	DB507	NIPPLE 3/8 x 1/2 STEEL	73	UPB05	ADAPTER FITTING-BURST DISC***	120	DQ74F	TWIST COUPLER 1/4 PLUG FEM-sut
28	VS005	FLOW SWITCH 8 @ 4200 ST5	74	UPB80	BURST DISC 8000psi TORQUE 32-4			
29	VS003	REED SWITCH	75	ECH75	HEAVY DUTY BEND RESTICTOR-B	121	HNZ05	NOZZLE HOLDER (FOR WAND)
30	D6588	STREET TEE 1/2" BRASS*	76	HB025	BATTERY BOX TRAY SCU (2008)	122	HLB30	GROMET ; NOZZLE HOLDER***
			77	HB100	BATTERY BOX ATWOOD G24 (LARGE)	123	VW045	WAND 1/4 x 48in MOLDED GRIP
31	UPT46	THERM DUMP VALVE 145F 1/2MPT	78	HPR57	ADJUSTER BRKT ASM-GENERATOR SCU	124	DQ04S	COUPLER 1/4 SOCK FEM
32	D1084	BUSHING 1/2 x 1/4 BRASS	79	MB034	GENERATOR BRUSHLESS 2900 WATT PEAK	125	AVGH3	WAND 48" MOLDED 3 NOZZLE HOLDER
33	VS030	PRESSURE SWITCH 4000 1/4" PR16	80	HS110	SC GENERATOR BELT GUARD 2014	126	DH060	HOSE 3/8 x 50' 5000psi BLU/GRY 25
34	DH046	HOSE 1/2 x 46IN 3500psi NO WIP					OPTION	
35	KSH19	BUSHING H24mm	81	HS120	ADAPTER BASE BRUSHLESS GENERATOR	127	WT040	TANK, FLOAT 4 GAL HD LINEAR
36	KV090	SHEAVE 3BK90H	82	MB064	GENERATOR AND GUARD ASM SCU BRUSHLESS	128	HH400	FLOAT TANK COVER HINGED
37	HSC42	PUMP BELT GUARD SCU HIGH FLOW UNITS	83	KT045	SHEAVE BK45H	129	WT0SC	SC WINTERIZING TANK OPTION
38	HS049	MUFFLER HEAT SHIELD SCU	84	KSH14	BUSHING H x 7/8			
39	KV054	SHEAVE 4TB42	85	KSB38	BELT BX38			
40	KSP30	BUSHING P2 x 1 1/8	86	HCS38	SCU CONTROL PANEL, EZ ACCESS			
			87	GLL79	LABEL, HYDRO TEK 47.375 x 3			
41	KSB45	BELT BX45	88	GLL30	MAINTENANCE LABEL 4 x 4		MS185	OIL FILTER
42	B0029	COIL CAP (FLAT END COIL) NO HOLE	89	GLL53	LABEL, SC OPS WARNING 4x 31"		MS211	AIR FILTER
43	BN055	INSULATION DISC 1 1/2" TH x 18" DIA	90	MC800	CARBON CANISTER, 800CC		BF025	RACOR FILTER CARTRIDGE (ELEMENT)
44	BN125	INSULATION DISC RETAINER 17.5"					K169	VALVE KIT (1) REQUIRED
45	BN053	5 1/2' SECTION OF INSULATION BLANKET					90162500	PISTON OIL SEAL KIT (3) REQUIRED
46	BD913	COIL WRAP TOP EXTENEDED SCU 2014	91	ECH70	KNOB; BLUE .25id x 1.5od		K171	SEAL KIT (1) REQUIRED
47	BC788	SPIRALAST 6 SPIRAL SCH 80 VERTICAL FIRED	92	HLB09	GROMET NOZZLE HOLDER***		K170	SEAL KIT WITH BRASS (3) REQUIRED
			93	NQ452	NOZZLE/QDC 045 x 15		66040309	PISTON KIT (3) REQUIRED

SERVICE PARTS NOT SHOWN