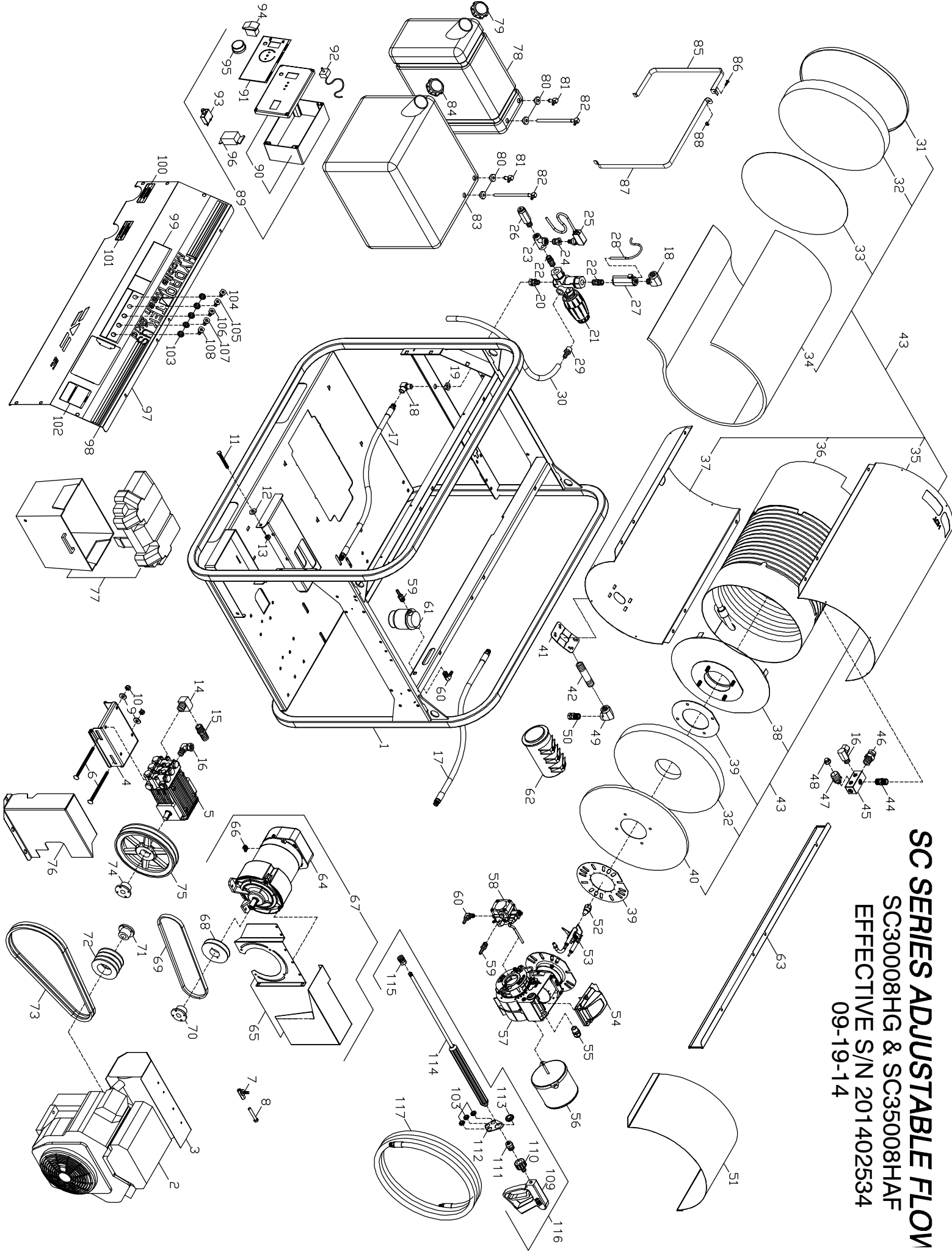


**SC SERIES ADJUSTABLE FLOW**  
**SC30008HG & SC35008HAF**  
**EFFECTIVE S/N 201402534**  
**09-19-14**



# SC30008HG & SC35008HAF PARTS LIST

S/N201402534

19-Sep-14

1	HSC00	SC FRAME, P COATED PRO TEC		45	HHA10	BLOCK 1.50 x 1.50 X 3.50 A108		89	HS027	CON'T BOX 36004/4000 VAF/KAF	
2	MH230	ENGINE 688CC HONDA E/S	SC30008HG	46	DE568	SWIVEL 3/8F x 1/2M STEEL		90	HSC51	LASER CUT SC BOX ASM/TOP AND BOTTOM	
	MH270	ENGINE 688CC HONDA E/S	SC35008HAF	47	UPB05	ADAPTER FITTING-BURST DISC					
3	HS088	MUFFLER HEAT SHIELD		48	UPB80	BURST DISC 8000psi		91	GLL57	LABEL,SC/SS PANEL CONTOL BOX	
4	HCS11	CPS PUMP RAIL SLIDE SHORT		49	D5047	ELL 1/2F x 3/8F STEEL		92	ECH55	THERMOSTAT,60-190F	
5	PG585	PUMP TSF2021 3600 @ 8.5 GPM		50	DE566	SWIVEL 3/8 STEEL		93	ECF10	CIRCUT BREAKER 15 AMP	
6	FB886	CARRIAGE BOLT- 3/8-16 6.50 LONG						94	EC410	ROCKER SWITCH 110V RED SPST	
7	HPR60	PUMP RAIL BOLT		51	HSC89	BURNER RAIN GUARD EXTENDED		95	ECH70	KNOB, BLUE .25 X 1.50D	
8	FB641	BOLT 3/8 X 2 1/2 PLD ALLTHREAD		52	BZ301	FUEL NOZZLE 3.0 90A	SC35008HAF	96	EP154	GFCI DUPLEX RECEPTACLE 20 AMP	
9	FWC06	WASHER CUT 3/8 PLATED			BZ326	FUEL NOZZLE 3.25 80A	SC30008HG	97	HSC39	SC CONTROL PANEL VARIABLE FLOW W/BLU LABEL	
10	FNL06	NUT LOCK 3/8-16 PLATED		53	BME10	BURNER ELECTRODE BECKETT- PAIR		98	GLL79	LABEL HYDRO TEK 47.375 x 3	
				54	BMT23	IGN TRANS, BECKETT 110 VAC SM		99	GLL54	LABEL, SC VARIABLE FLOW INSTRUC	
11	FB648	BOLT 3/8 x 3 ALL THREAD		55	EWC08	STRAIN RELIEF 1/2 HEYCO (3/8)		100	GLL10	LABEL GASOLINE ONLY	
12	FWC05	WASHER CUT 5/16 PLATED		56	BM513	BURNER MOTOR, BECKETT SM 110V					
13	FNJ06	NUT LOCK JAM 3/8-16 PLATED		57	BU600	BURNER; BECKETT SM 110V		101	GLL20	LABEL DIESEL FUEL ONLY	
14	D5512	STREET ELBOW 3/4" BRASS		58	BPA15	FUEL PUMP W/SOLENOID PD TM 120V		102	GLL30	MAINTENANCE LABEL 4x4 SC,SS,SM	
15	D8169	HOSE BARB 1in.H X 3/4P BRASS		59	D8044	BARB HOSE, 1/4 BRASS		103	HLB09	GROMET NOZZLE HOLDER	
16	DE866	SWIVEL 3/8F's x 3/8M 90		60	D8040	HOSE BARB 1/4 90 ELBOW		104	NQ402	NOZZLE/QDC 04 x 15	SC35008HAF
17	DH034	HOSE 3/8 x 34IN 5000psi NO WIP GD							NQ902	NOZZLE/QDC 09 x 15"	SC30008HG
18	DC568	STREET ELL 3/8		61	BF020	FUEL FILTER, RACOR HYDRO TEK		105	NQ552	NOZZLE/QDC 055 x 15	SC35008HAF
19	D7061	HEX NUT 3/8 BRASS-REMOTE UNLOADER		62	MC800	CARBON CANISTER, 800CC			NQ903	NOZZLE/QDC 09 x 25"	SC30008HG
20	DE566	SWIVEL 3/8 STEEL		63	HSS82	SC FUEL LINE GUARD		106	NQ702	NOZZLE/QDC 07 x 15	SC35008HAF
				64	MB034	GENERATOR BRUSHLESS 2900 WATT PEAK			NQ904	NOZZLE/QDC 09 x 40	SC30008HG
21	UU323	UNLOADER 4350SI 8GPM AR		65	HS110	SC GENERATOR BELT GUARD 2014		107	NQ802	NOZZLE/QDC 08 x 15	SC35008HAF
22	DB506	NIPPLE 3/8 STEEL		66	FNS45	5/16 - 18 SQUARE SPEED NUT-14 GA		108	NQ402	NOZZLE/QDC 04 x 15	SC35008HAF
23	DE066	TEE 3/8 STEEL		67	MB60	GENERATOR & GUARD ASMB SC GAS		109	VG200	GUN VALVE 12 @ 4000 ST1500	
24	DA064	BUSHING 3/8 X 1/4 STEEL		68	KT045	SHEAVE BK45H		110	DQ74T	M22 TWIST COUPLER 1/4" MALE	
25	VS030	PRESSURE SWITCH 4000 PA/PR16]		69	KSA32	BELT 5L250	SC35008HAF				
26	UP137	PRESSURE RELIEF 3700PSI BLACK	SC30008HG		KSA34	BELT 5L260	SC30008HG	111	DQ74F	TWIST COUPLER 1/4" PLUG FEM-SUT	
	UP045	PRESSURE RELIEF 4500+15% 500Q	SC35008HAF	70	KSH14	BUSHING H 7/8		112	HNZ05	NOZZLE HOLDER (FOR WAND)	
27	VS005	FLOW SWITCH 8 @ 4200 ST5						113	HLB30	GROMET; WAND 1"	
28	VS003	REED SWITCH FOR(AP500)		71	KSP16	BUSHING P1 x 1		114	VW045	WAND 1/4 x 48in MOLDED GRIP	
29	D8088	HOSE BARB 1/2 BRASS		72	KV054	SHEAVE 4TB42		115	DQ04S	COUPLER 1/4 SOCK FEM	
30	DHC80	HOSE, 1/2 LO PRESS BLACK		73	KSB39	BELT BX39		116	AVGH3	WAND ASSEM 48" MOLDED GRIP W/NOZZLE HOLDER	
				74	KSH19	BUSHING H24MM		117	DH050	HOSE 3/8" x 50' 3000psi 250F BL	SC30008HG
31	B0029	COIL CAP (FLAT END COIL) NO HOLE		75	KV100	SHEAVE 3BK100H			DH057	HOSE 3/8 x 50' 4000PSI	SC35008HAF
32	BN055	INSULATION DISC 1 1/2" TH x 18" DIA		76	HS078	SC PUMP GUARD-HONDA 20HP					
33	BN125	INSULATION DISC RETAINER 17.5"		77	HB150	SNAP ON BATTERY BOX ASSEMBLY		<b>SERVICE PARTS NOT SHOWN</b>			
34	BN053	5 1/2' SECTION OF INSULATION BLANKET		78	WT08N	FUEL TANK 8 GAL BLACK NYLENE			MH230	OIL FILTER	
35	BD913	COIL WRAP TOP EXTENEDED SCU 2014		79	WT08G	GAS CAP NONVENTED RATCHET CARB APPROVED			MH241	AIR FILTER	
36	BC788	SPIRALAST 6 SPIRAL SCH 80 VERTICAL FIRED		80	DFE04	FUEL TANK BUSHING 1/4			MH688	MUFFLER 688cc HONDA ENG.	
37	BD914	COIL WRAP BOTTOM EXTENEDED SCU 2014							BF025	RACOR FILTER CARTRIDGE (ELEMENT)	
38	BD012	INSULATION DISC RETAINER W/HOLE		81	DFE04	FUEL TANK ELL 1/4			K169	VALVE KIT (1) REQUIRED	
39	BM035	BECKETT GASKET/UNIVERSAL		82	DF599	FUEL TANK ADAPTER W/PLASTIC TUBE			90162500	PISTON OIL SEAL KIT (3) REQUIRED	
40	BD016	END CAP W/HOLE		83	WT078	FUEL TANK 18 DIESEL CLEAR			K171	SEAL KIT (1) REQUIRED	
				84	WT08D	LARGE DIESEL CAP, NON VENTED, W/ RATCHET			K170	SEAL KIT WITH BRASS (3) REQUIRED	
41	B2324	COIL NIPPLE RETAINER		85	HFC01	FUEL TANK STRAP #1			66040309	PISTON KIT (3) REQUIRED	
42	BC850	BURNER NIPPLE 1/2 x 5 SCH 80		86	FB410	BOLT 1/4 x 3/4 PHIL HD SS					
43	BC445	COIL ASM 6 SPIRAL EXTENEDED SCU		87	HFC04	FUEL TANK STRAP #4					
44	DB508	NIPPLE 1/2" STEEL		88	FNS04	1/4 - 20 SQUARE SPEED NUT					