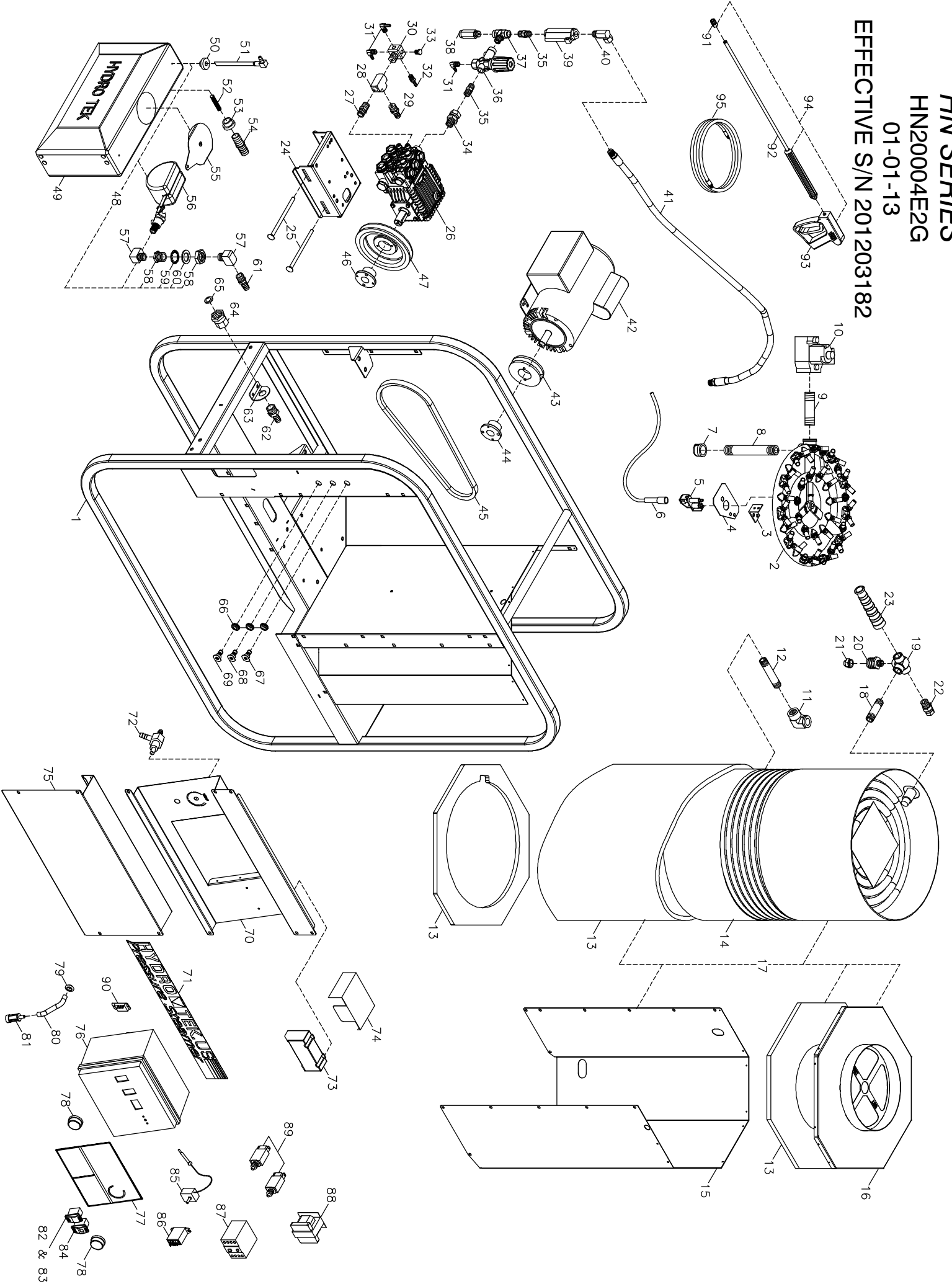


HN SERIES
HN20004E2G

01-01-13

EFFECTIVE S/N 201203182



HN20004E2G PARTS LIST

S/N 20103182

1-Jan-13

1	HN200	HN FRAME (2012) P COATED	35	DB506	NIPPLE 3/8 STEEL	69	NQ453	NOZZLE/QDC 045 X 25 DEG
2	BGW70	X44 BURNER RING W/JETS NAT GAS	36	UU260	UNLOADER , 3600-8GPM			
3	HNG32	HN PILOT BRACKET STAINLESS	37	DEB66	BRANCH TEE 3/8 STEEL	70	HHN45	CONTROL PANEL-HN 2012
4	HNG31	HN PILOT SHEILD STAINLESS	38	UP128	PRESSURE RELIEF 2800 PSI BLUE	71	GLL75	LABEL HYDRO TEK 34 X 3.00
5	BGP10	PILOT ASM. HW.	39	VS005	FLOW SWITCH 8 @ 5070 PSI	72	VVC10	CHEMICAL MET VALVE MV-100 MOD
6	BGW42	IGNITION WIRE 40" NG/HN ASM				73	BGG15	IGNITION MODULE HW 90 SECOND
7	DGPC2	PIPE CAP 3/4 BLACK	40	DE866	SWIVEL 3/8F X 3/8 M 90D	74	HHN45-2	IGNITION MODULE SHIELD
8	DGN18	NIPPLE 3/4" X 8" BLACK SCH 40	41	DH007	HOSE 3/8 X 48 4000PSI	75	HHN48	BELT GUARD
9	DGN10	NIPPLE 3/4" X 3 1/2" BLACK	42	ME504	MOTOR 5hp 208/230 1ph 3450rpm	76	EWB72	ELECT BOX (HN2003) CUT
10	BGV07	NATURAL GAS VALVE 3/4"	43	KT036	SHEAVE BK36H	77	GLL94	LABEL CTRL BOX HN
			44	KSH12	BUSHING H 3/4	78	ECH70	KNOB; BLUE .25id X 1.50od
11	D5047	ELL 1/2 F x 3/8 F STEEL	45	KSB38	BELT BX38	79	HL018	HOSE GROMMET 5/8
12	BC845	BURNER NIPPLE 1/2 x 4 1/2 SCD 80	46	KSH19	BUSHING 24MM			
13	BN053	INSUL BLKT 50SQ' 1/2 X 24 8# 25'	47	KT080	SHEAVE BK80H	80	DHB04	TUBING CLEAR BRAIDED 1/4
14	BC755	COIL, 5PK SCD 80	48	WT058	FLOAT TANK ASM HN/BPC - 2013	81	VF045	STRAINER CHEMICAL WITH CHECK
15	HHN66	COIL WRAP - HN 2013	49	WT040	TANK, FLOAT 4 GAL HD LINEAR	82	EC406	ROCKER SWITCH RED SPST
16	HHN67	COIL CAP ASM -HN 2013				83	EC495	ROCKER SWITCH COVER, AMBER
17	BC748	COIL ASM. 5 PK-HN 2013	50	DFF04	FUEL TANK BUSHING 1/4	84	EC406	ROCKER SWITCH RED SPST
18	BC830	BURNER NIPPLE 1/2 x 3 SCD 80	51	DF599	FUEL TANK ADAPTER W/PLASTIC TUBE	85	ECH50	THERMOSTAT, 60-250 70 CAP
19	DE08S	TEE 1/2" SPECIAL 3/8 TAP	52	VF050	STRAINER TUBE FOR FLT TANK	86	ECC08	RELAY; 24 VOLT SPST 50/60Hz
			53	DFF10	WATER TANK BUSHING 5/8	87	ECC21	CONTACTOR 40 AMP 240V 3 POLE DEF
20	UPB05	ADAPTER FITTING-BURST DISC	54	D1010	SPLICER 5/8 BRASS	88	BGT10	TRANSFORMER 120/230-24V 40VA
21	UPB80	BURST DISC 8000 PSI TORQUE 32-4	55	HH400	FLOAT TANK COVER, HINGED ASM	89	ECF05	CIRCUIT BREAKER 1/2 AMP
22	DE568	SWIVEL 3/8F X 1/2M STEEL	56	VVF08	FLOAT VALVE 3/8 BRASS			
23	ECH75	HEAVY DUTY BEND RESTICTOR-B	57	D5566	STREET ELL 3/8 BRASS	90	EC116	SWITCH, SLIDE 1P2T
24	HCS12	CPS PUMP RAIL SLIDE TALL	58	D7520	PANEL FITTING 3/4 BRASS	91	VG200	TRIGGER GUN, INSULATED 4000PSI
25	FB886	CARRIAGE BOLT-3/8-16 6.6 LONG	59	FW700	WASHER LOCK 1 in GALV	92	VW045	WAND 1/4" X 48" MOLDED GRIP
26	PG350	PUMP 3.5 @ 2500 24MM SHAFT				93	DQ04S	COUPLER 1/4" SOCK FEM
27	D2088	NIPPLE 1/2 BRASS	60	FW701	FLOAT TANK WASHER 1.75 OD 14 GA	94	AVGH4	WAND 48" MOLDED GRIP,GUN,QC
28	D6088	TEE 1/2 BRASS	61	D8068	HOSE BARB 1/2H x 3/8P BRASS	95	DH050	HOSE 3/8 X 50' 3000PSI
29	D8074	HOSE BARB 5/8H x 1/2M .322ID BRN	62	D8088	HOSE BARB 1/2 BRASS			
			63	HSK25	INLET HOSE BRACKET			
30	HHA05	BCS MANIFOLD BRASS 1/2"M X 1/4	64	D008F	GARDEN HA .5 NPT FEMALE			
31	D8040	HOSE BARB 1/4" 90 ELBOW	65	D0021	SCREEN WASHER GARDEN HOSE			
32	D8044	HOSE BARB; 1/4" BRASS* .312 T	66	HLB09	GROMMET, NOZZLE HOLDER		BGV05	NG TO LP COVERSION INST 440K
33	D1040	PLUG 1/4" BRASS	67	NQ552	NOZZLE/QDC 055 X 15 DEG		AEN81	DELUXE REMOTE-HN20004E2
34	DE566	SWIVEL 3/8 STEEL	68	NQ554	NOZZLE/QDC 055 X 40 DEG			

OPTIONAL