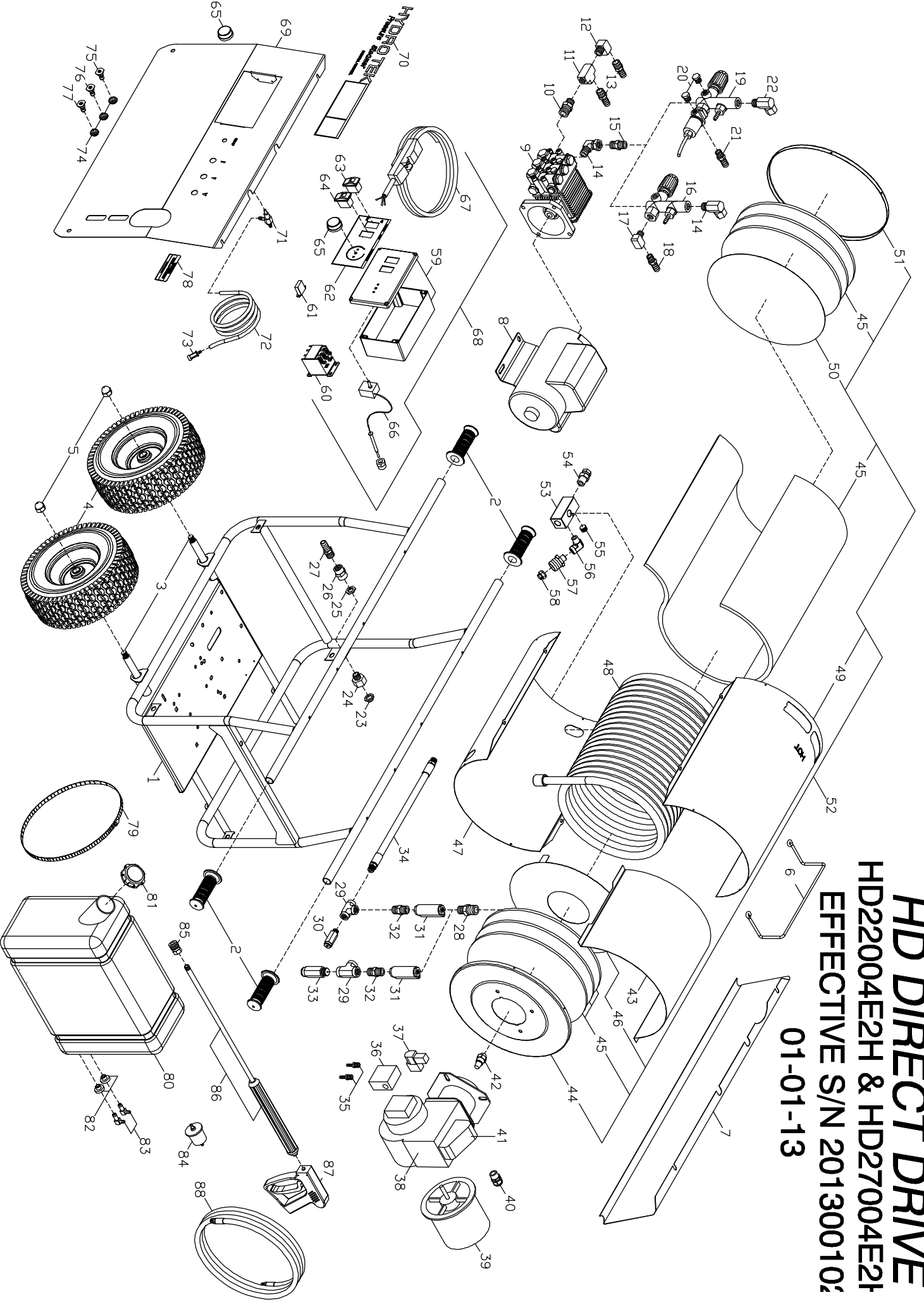


HD DIRECT DRIVE HD22004E2H & HD27004E2H EFFECTIVE S/N 20130010;

01-01-13



HD22004E2H & HD27004E2H PARTS LIST (DIRECT DRIVE) S/N201300102

1-Jan-13

1	HHD00	HD FRAME STAINLESS	31	VS005	FLOW SWITCH 8 @ 4200 ST5	61	ECC02	RELAY AC 240V 50/60HZ SPST (HD22004E2H)
2	HL010	HAND GRIP 1in MX	32	DB506	NIPPLE 3/8" STEEL	62	GLL82	LABEL CONTROL HD 2MIL W/2 MI
3	SR625	ROD, THREADED 5/8 ZINCE PLATED	33	UP137	PRESSURE RELIEF 3700psi BLACK (HD27004E2H)	63	EC421	ROCKER SWITCH 230V CLEAR SPST
4	HT127	WHEEL&TIRE TURF 13x5.00-6 3/4 BEARING GREY	34	DH003	HOSE 3/8" x 18" 5000psi	64	EC420	ROCKER SWITCH 230V RED DPST
5	FNA09	NUT ACORN 5/8-11	35	D8044	BARB; HOSE; 1/4" BRASS .312 t	65	ECH70	KNOB; BLUE .25id x 1.50od
6	HHP29	WIRE HOSE HOOK-ZINC PLATED	36	BPA10	FUEL PUMP MOD A2V-7116	66	ECH50	THERMOSTAT; 60-250 1GP PART=25
7	HHD32	HD REAR HALF PANEL	37	BPV20	FUEL VALVE 220V	67	EP125	GFI CORD 240V 30a
8	ME504	MOTOR 5hp 208/230v 1ph 3450rpm (HD22004E2H)	38	BU602	BURNER; BECKET SM 230V	68	EHG22	HD ELECTRICAL BOX ASSEMBLY (HD22004E2H)
	ME606	MOTOR 6.5hp 230v 1ph 3450 MT 3 (HD27004E2H)	39	BM562	BURNER MOTOR 220V BECKET		EHG30	HD ELECTRICAL BOX ASSEMBLY (HD27004E2H)
9	PH325	PUMP 3.5 @2500 3/4 SHAFT 3400	40	EWC08	STRAIN RELIEF 1/2" HEYCO (3/8)	69	HHD30	HD CONTROL PANEL
10	D2086	NIPPLE 1/2 x 3/8 BRASS				70	GLL75	LABEL HYDRO TEK 34 x 3.00
			41	BMT25	IGNITION TRANSFORMER-IRON CORE 240V BECKET			
11	D6066	TEE 3/8 BRASS	42	BZ200	FUEL NOZZLE 2.0 80B	71	VVC10	CHEMICAL MET VALVE MV-100 MOD
12	D5566	STREET ELL 3/8" BRASS	43	HHD05	HD/SM BURNER RAIN GUARD	72	DHB04	TUBIN; CLEAR BRADED; 1/4"
13	D8068	HOSE BARB 1/2"H x 3/8"P BRASS	44	B0304	COIL HEAD 2012 BURNER END BC300	73	VF042	STRAINER CHEM (NO CHECK)
14	DE866	SWIVEL 3/8"F x 3/8"M 90 BRAZED	45	BN053	INSUL BLKT 50SQ' 1/2 x 24 8#25'	74	HLB09	GROMET NOZZLE HOLDER
15	DB506	NIPPLE 3/8" STEEL	46	BN305	DISC RETAINER 13.00 OD w/ 4.38 HOLE BURNER END	75	NQ353	NOZZLE/QDC 035 x 25
16	UU263	UNLOADER/INJ, w/2.55mm 3600 8G (HD27004E2H)	47	B0314	COIL WRAP BOTTOM 1 PASS 2012 BC300	76	NQ452	NOZZLE/QDC 045 x 15 (HD22004E2H)
17	D5544	STEET ELL 1/4 BRASS (COMPACT) (HD27004E2H)	48	BC144	COIL 4PK SINGLE PASS 13.00 OD NEW 2012 HT MFG		NQ402	NOZZLE/QDC 04 x 15 (HD27004E2H)
18	D8084	HOSE BARB 1/2"H x 1/4 BRASS	49	B0313	COIL WRAP TOP 1 PASS SH-HD 2012 BC300	77	NQ970	NOZZLE/QDC 4.0 x 25
19	UU264	UNLOADER ST-261 W/SWITCH (HD22004E2H)	50	BN327	INSUL DISC RETAINER 13.00 DIA 2012 BC300	78	GLL20	LABEL DIESEL FUEL ONLY
20	D1040	PLUG 1/4 BRASS				79	FC074	WORM GEAR CLAMP 2 1/2 x 13 1/4
			51	B0303	COIL CAP OUTLET 14.50 2012 BC300 OUTLET SIDE	80	WT075	FUEL TANK 7.5 DIESEL CLEAR
21	D8084	HOSE BARB 1/2"H x 1/4 BRASS	52	BC300P	COIL ASM SINGLE PASS 4PK 2012 HD-SH			
22	DE866	SWIVEL 3/8"F x 3/8"M 90 BRAZED	53	HHA10	BLOCK 1.5 x 1.5 x 3.5 OUTLET	81	WT080	FUEL CAP; DIESEL
23	D0021	SCREEN WASHER GARDEN H A	54	DE568	SWIVEL 3/8"F x 1.2"M STEEL	82	DFF04	FUEL TANK BUSHING 1/4"
24	D006M	GARDEN H A 3/8" NPT MALE	55	D1061	PLUG 3/8" FLUSH HEAD HEX STEEL	83	DFE04	FUEL TANK ELL 1/4"
25	D7061	HEX NUT 3/8" BRASS-REMOTE UNLOADER	56	DC568	STREET ELL 3/8 STEEL FORGED ON	84	BF015	FUEL FILTER; INLINE
26	D3066	COUPLING 3/8 BRASS	57	UPB05	ADAPTER FITTING-BURST DISC	85	DQ04S	COUPLER 1/4" SOCK FEMALE
27	D8068	HOSE BARB 1/2H x 3/8P BRASS	58	UPB80	BURST DISC 8000psi TORQUE 32-4	86	VW036	WAND 1/4" x 36" MOLDED GRIP 580
28	DB507	NIPPLE 3/8" x 1/2" STEEL	59	HHD52	ELECTRICAL BOX HD LASER CUT	87	VG200	TRIGGER GUN, INSULATED 4000psi
29	DE066	TEE 3/8" STEEL	60	ECC21	CONTACTOR 40AMP 240V 3POLE DEF	88	DH050	HOSE 3/8" x 50' 3000psi 250F BL
30	UP128	PRESSURE RELIEF 2800psi BLUE (HD22004E2H)						