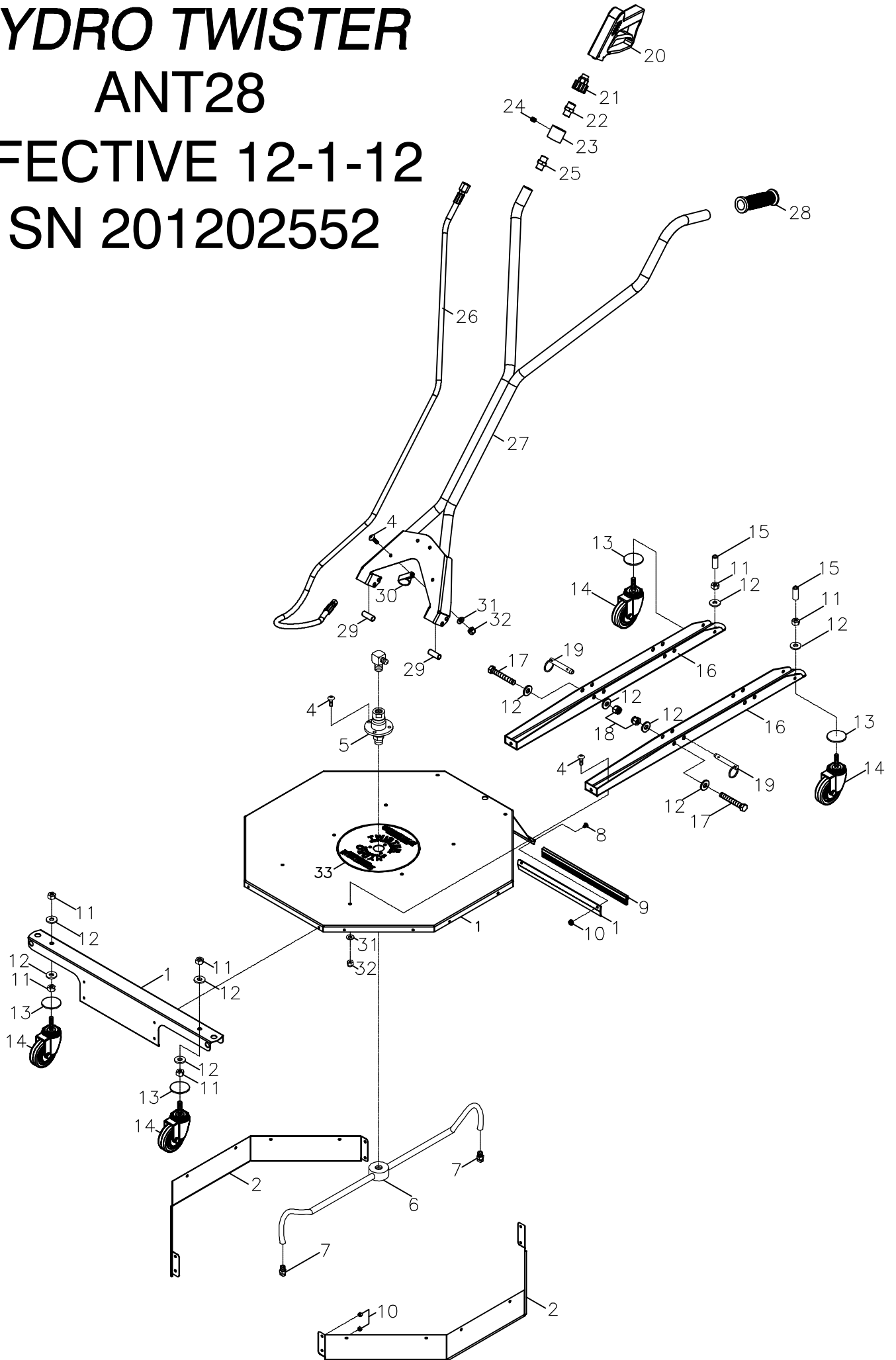


# HYDRO TWISTER

## ANT28

### EFFECTIVE 12-1-12

### SN 201202552



**ANT28 PARTS LIST S/N 201202552 12-01-12**

1	HLS42-1	CUT GROUP -ANT4C
2	HLS45	SKIRT ANT4C 20 ga.STAINLESS
3	D5546	STREET ELL 3/8"MPT x 1/4"JIC
4	FB410	BOLT 1/4" x 3/4" PHIL HD SLT STNL
5	VAM04	TWISTER SWIVEL CARBIDE 4000
6	VAM25	TWISTER ROTAR ARM 26.25" BENT
7	NM270	NOZZLE 027 x 15 x 1/8 MEG
8	FB316	SCREW 10-24 x 3/8 SS TRUSS
9	HLH15	BRUSH 15.25L x 1.00 H
10	FNF10	NUT FLANGE SERATED 10-24 STAINLESS
11	FNR06	NUT 3/8-16 PLD
12	FWC05	WASHER CUT 5/16" PLD
13	DQ605	O-RING 3/32 x 1 5/8 x 13/16
14	HT300	CASTER 3DIA x 15/16" TREAD WIDTH
15	HLC16	CASTER CAP; TWISTERS 1 .343 BL
16	HLS43	REAR CASTER BRAKTS ANT4C
17	FB641	BOLT 3/8" x 2 1/2" PLD ALL-THREAD
18	FNL06	NUT-LOCK 3/8"-16 PLD
19	FP378	QUICK RELEASE PIN 3/8 x 1.18IN
20	VG200	TRIGGER GUN, INSULATED 4000psi
21	DQ74T	M22 TWIST COUPLER 1/4" MALE
22	DQ74F	TWIST COUPLER 1/4 PLUG FEM-sut
23	HLS10	GUN/TUBING ADAPTER-STEEL
24	FB312	SET SCREW 5/16-18 x 3/8 CUP PO
25	DB504	NIPPLE 1/4" STEEL
26	DTW04	HOSE ASSEM. 1/4" x 63" 5000psi
27	HLS35	HANDLE ASSEMBLY - ANT28
28	HL010	HAND GRIP 1in MX
29	HSC44	HANDLE PIVOT BOLT SPACER SS
30	FD075	CLAMP 3/4" RUBBER COATED
31	FWS04	WASHER SAE 1/4"SS 9/32" x 5/8"
32	FNLS4	NUT LOCK; 1/4-20 316 STAINLESS
33	GLL66	LABEL HYDRO TWISTER 10 x 10.75
<b><u>OPTIONAL</u></b>		
34	HLS26	RIGID CASTER BRACKET(not shown)
35	FB436	BOLT 1/4" x 2 1/4" STAINLESS STEEL(not shown)
36	ACT00	RIDGID CASTER BRACKET KIT(not shown)