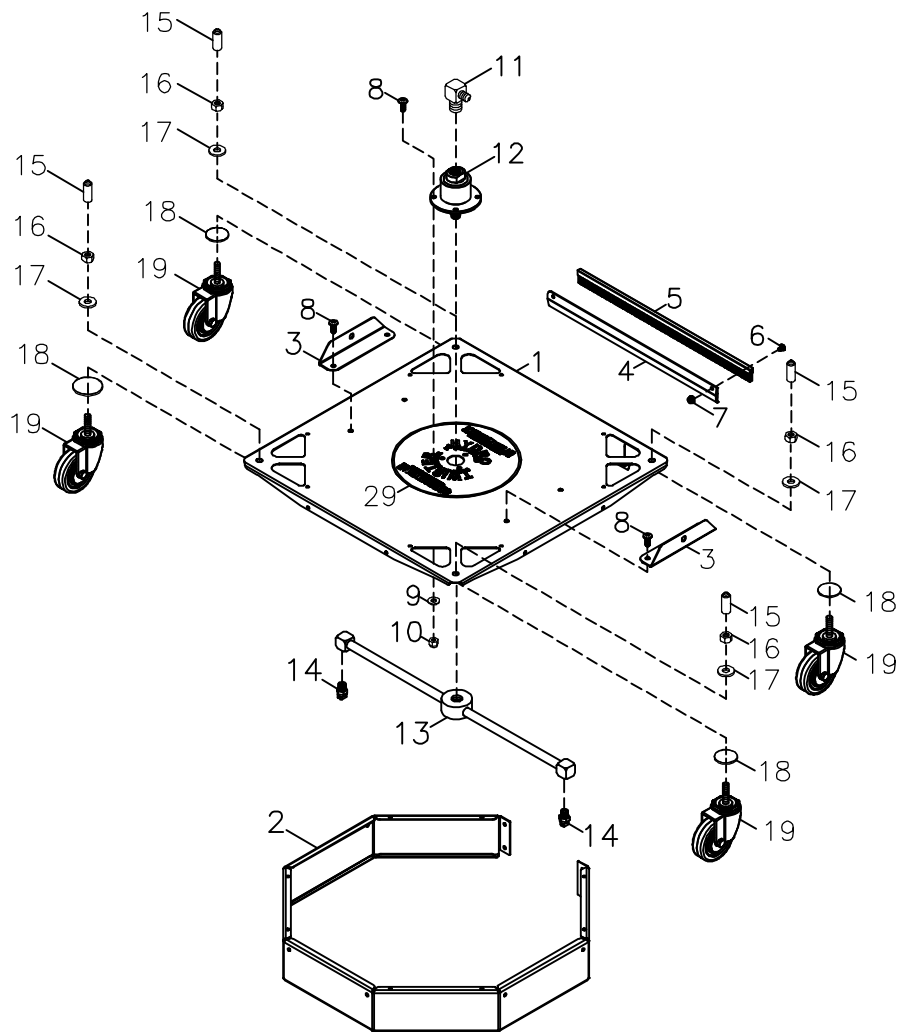
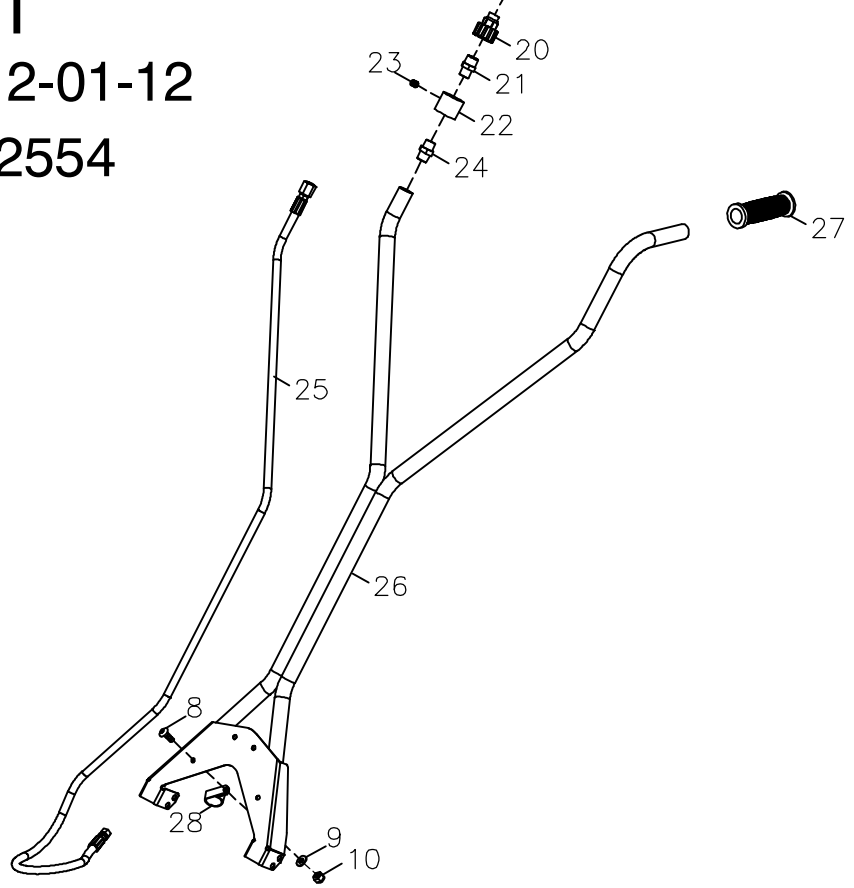


HYDRO TWISTER

ANT21

EFFECTIVE 12-01-12

SN 201202554



ANT21 PARTS LIST S/N 201202554 12-01-12

1	HLS39-1	DECK - ANT20
2	HLS41	SKIRT - ANT20
3	HLS39-2	HANDLE BRACKET - ANT20
4	HLS39-3	BRUSH RETAINER - ANT20
5	HLH11	BRUSH 11.25 L x 1.00 H
6	FB316	SCREW 10-24 x 3/8 SS TRUSS HD P
7	FNF10	NUT FLANGE SERATED 10-24 STNLS
8	FB410	BOLT 1/4 x 3/4 PHIL HD SS
9	FWS04	WASHER SAE 1/4SS 9/32 x 5/8"
10	FNLS4	NUT LOCK: 1/4-20 316 STAINLESS
11	D5546	STREET EL 3/8 MPT x 1/4 JIC
12	VA004	SWIVEL: 5000PSI 3500RPM 210DEG
13	VAM18	TWISTER ROTOR ARM 18"
14	NM202	NOZZLE 02 x 15 x 1/8 MEG
15	HLC16	CASTER CAP TWISTER
16	FNR06	NUT 3/8-16 PLD
17	FWC05	WASHER CUT 5/16" PLD
18	DQ605	O-RING 3/32 x 1 5/8 x 13/16
19	HT300	CASTER 3DIA x 15/16" TREAD WIDTH
20	DQ74T	M22 TWIST COUPLER 1/4" MALE
21	DQ74F	TWIST COUPLER 1/4 PLUG FEM-sut
22	HLS10	GUN/TUBING ADAPTER-STEEL
23	FB312	SET SCREW 5/16-18 x 3/8 CUP PO
24	DB504	NIPPLE 1/4" STEEL
25	DTW04	HOSE ASSEM. 1/4" x 63" 5000psi
26	HLS35	HANDLE ASSEMBLY - ANT28
27	HL010	HAND GRIP 1in MX
28	FD050	CLAMP 1/2" RUBBER COATED
29	GLL66	LABEL HYDRO TWISTER 10 x 10.75
		<u>OPTIONAL</u>
30	VG200	TRIGGER GUN, INSULATED 4000psi