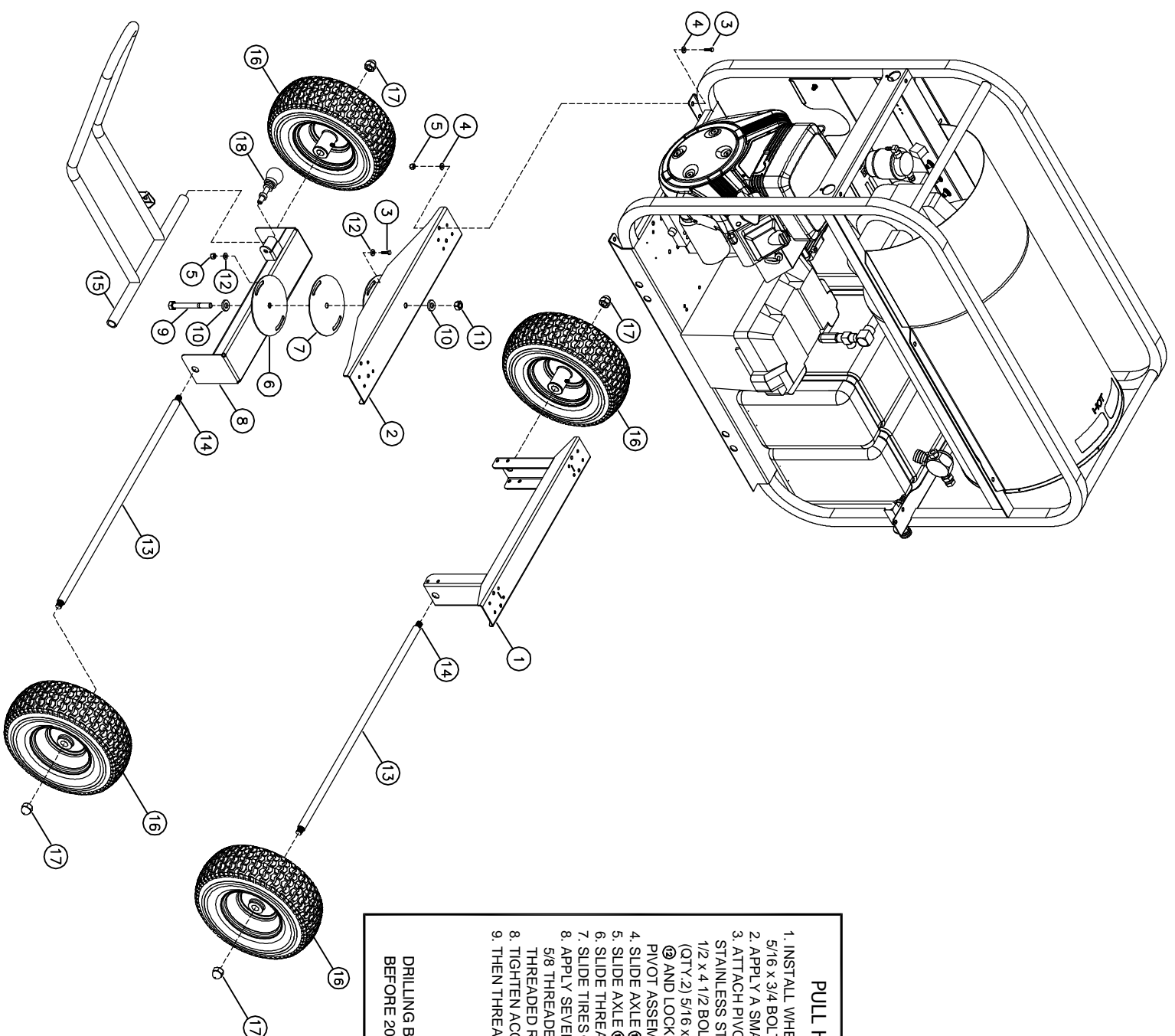


DATE:	ECO:	REV:	DATE:	ECO:	REV:
12-04-07		1974			

PULL HANDLE WHEEL KIT INSTALLATION

1. INSTALL WHEEL SUPPORTS ① AND ② TO FRAME USING (QTY. 8) 5/16 x 3/4 BOLTS ③ WITH FLAT WASHERS ④ AND LOCK NUTS ⑤.
2. APPLY A SMALL AMOUNT OF GREASE TO PIVOT SURFACES ⑥.
3. ATTACH PIVOT ASSEMBLY ⑦ TO FRONT WHEEL SUPPORT ② WITH STAINLESS STEEL PIVOT PLATE ⑧ BETWEEN THE TWO PARTS. USING 1/2 x 4 1/2 BOLT ⑨, 1/2 PLATED WASHERS ⑩, 1/2 PLATED LOCKNUT ⑪ (QTY. 2) 5/16 x 3/4 STOP BOLTS ⑫ ALONG WITH STAINLESS FLAT WASHER ⑬ AND LOCKNUTS ⑭. TIGHTEN BOLTS SO THERE IS A SLIGHT DRAG ON PIVOT ASSEMBLY ⑦ WHEN IT IS ROTATED.
4. SLIDE AXLE ⑮ THROUGH PIVOT ASSEMBLY ⑦ AND HANDLE ⑯.
5. SLIDE AXLE ⑮ THROUGH REAR WHEEL SUPPORT ①.
6. SLIDE THREADED ROD ⑰ THROUGH AXLE ⑮ 3/4 SS TUBE.
7. SLIDE TIRES ⑱ ONTO 3/4 SS TUBING ⑰.
8. APPLY SEVERAL DROPS OF THREAD LOCKING COMPOUND TO END OF 5/8 THREADED ROD ⑰ THEN THREAD 5/8 ACORN NUTS ⑲ ONTO THREADED ROD ⑰.
8. TIGHTEN ACORN NUTS ⑲ TO THREADED ROD ⑰ USING 2 15/16 WRENCH. THEN THREAD ON POP PIN ⑳ INTO FRONT PIVOT ASSEMBLY ⑦.

NOTE
DRILLING BE REQUIRED ON MACHINES MANUFACTURED BEFORE 2001.



AHB30 PULL HANDLE WHEEL KIT 2013

- 1 HSC97 WHEEL KIT SUPPORT FRAME
- 2 HSC97 WHEEL KIT SUPPORT FRAME
- 3 FB512 BOLT 5/16 x 3/4 PLATED **(10)**
- 4 FWC05 WASHER CUT 5/16" PLATED **(16)**
- 5 FNL05 NUT LOCK 5/16-18 PLATED **(10)**
- 6 HSC97 WHEEL KIT SUPPORT FRAME
- 7 HL182 PIVOT SHIM-PIVOT WHEEL KIT
- 8 HSC97 WHEEL KIT SUPPORT FRAME
- 9 FB868 BOLT 1/2 x 4 3/4 PLATED #5
- 10 FWC09 WASHER 1/2 PLATED **(2)**
- 11 FNL08 NUT LOCK 1/2 PLATED
- 12 FWS05 WASHER SAE 5/16 SS 11/32 x 11/16 **(4)**
- 13 HSS64 AXLE SLEEVE 3/4 x 25.25 **(2)**
- 14 HSS65 AXLE THREADED ROD 5/8 x 26.625 **(2)**
- 15 HSC98 PULL HANDLE STAINLESS NARROW FITS ONLY SS
- 16 HT127 WHEEL&TIRE TURF 13x5.00-6 GREY **(4)**
- 17 FNA09 NUT ACORN 5/8-11 ACORN NICKEL **(4)**
- 18 FP150 POP PIN LOCKING 3/8 x 1.50