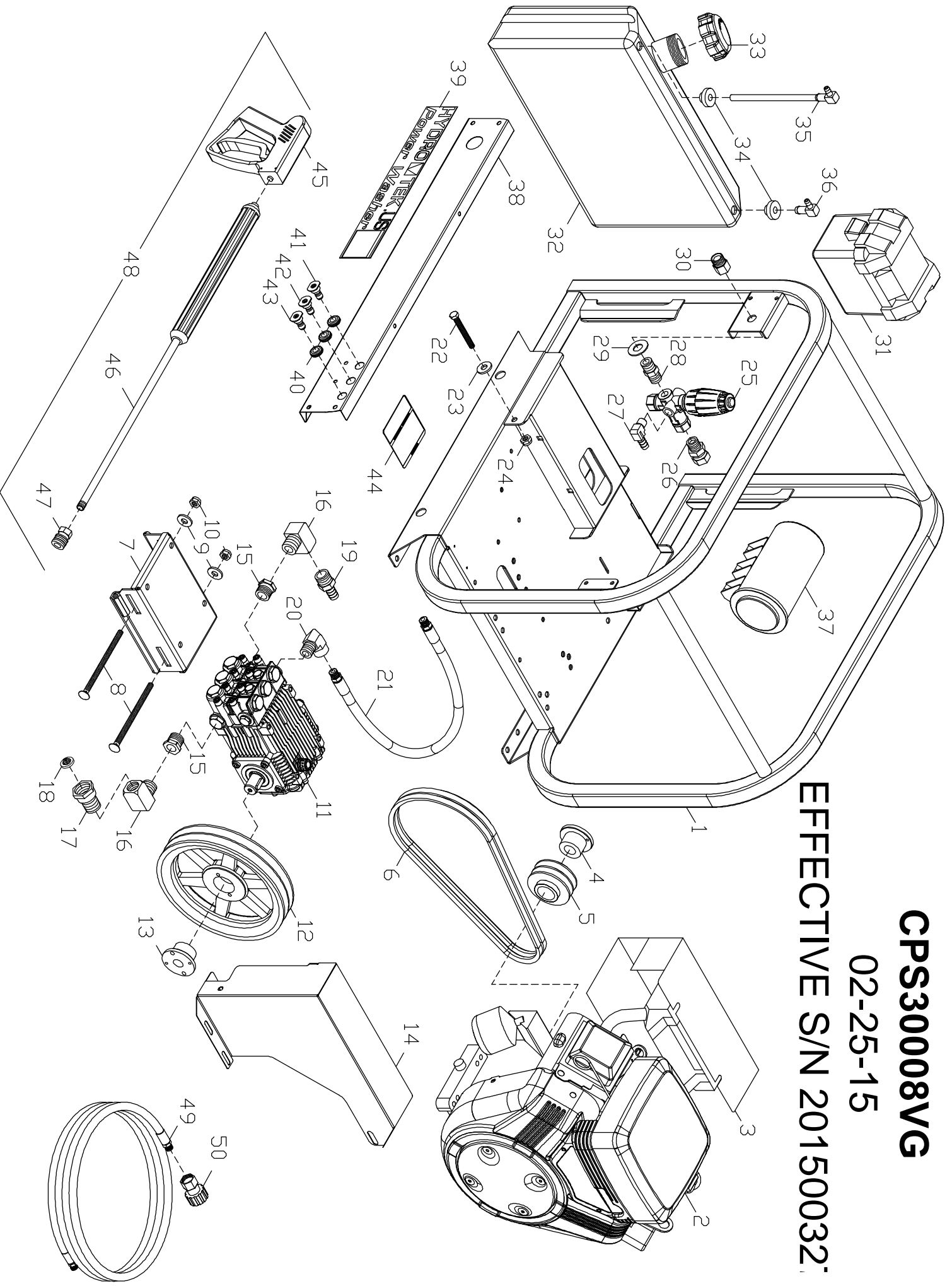


# CPS SERIES

## CPS30008VG

02-25-15

EFFECTIVE S/N 201500321



**CPS30008VG PARTS LIST S/N 201500327**

**25-Feb-15**

1	HCS00	CPS FRAME ASM 10/17/11
2	MS210	ENGINE 627CC VANGUARD E/S
3	HCS15	MUFFLER HEAT SHIELD 21 VANGUARD
4	KSP16	BUSHING P1 x 1
5	KV044	SHEAVE 3TB42
6	KSB38	BELT BX38
7	HCS11	CPS PUMP RAIL SLIDE SHORT
8	FB886	CARRIAGE BOLT- 3/8-16 6.50 LONG
9	FWC06	WASHER CUT 3/8 PLATED
10	FNL06	NUT LOCK 3/8-16 PLATED
11	PG585	PUMP TSF2021 3600 @ 8.5 GPM
12	KV100	SHEAVE 3BK100H
13	KSH19	BUSHING H24MM
14	HCS14	BELT GUARD 2 PIECE
15	D1128	BUSHING 3/4 x 1/2 BRASS
16	D5588	STREET ELL 1/2 BRASS
17	D008M	GARDEN H A 1/2 NPT MALE
18	D0021	SCREEN WASHER GARDEN HOSE ADAPTER
19	D8088	HOSE BARB 1/2 BRASS
20	DC568	STREET ELL 3/8 STEEL
21	DH032	HOSE 3/8 x 30in 4000psi NO WHIP
22	FB648	BOLT 3/8 x 3" ALL THREAD
23	FWC05	WASHER CUT 5/16 PLATED
24	FNJ06	NUT LOCK JAM 3/8-16 PLATED
25	UU323	UNLOADER 4500 PSI 8GPM AR
26	DE566	SWIVEL 3/8 STEEL
27	D8060	HOSE BARB 90 DEG 1/2H x 3/8MPT
28	DB506	NIPPLE 3/8 STEEL
29	FWS09	WASHER 11/16 ID x 1 1/2 OD STAINLESS
30	DQ76P	M22 PLUG x 3/8 NPT-F

31	HB050	BATTERY BOX ATTWOOD U1
32	WT036	FUEL TANK 4 GAL GAS RED
33	WT08G	GAS CAP NONVENTED CARB APPROVED
34	DFF04	FUEL TANK BUSHING 1/4
35	DF599	FUEL TANK ADAPTER w/PLASTIC TUBE
36	DFE04	FUEL TANK ELL 1/4
37	MC100	CARBON CANISTER 1000CC
38	HCS13	CPS PANEL 10/18/11
39	GLL78	LABEL HYDRO TEK 20.75 x 2.625
40	HLB09	GROMET NOZLE HOLDER
41	NQ802	NOZZLE/QDC 08 x 15
42	NQ803	NOZZLE/QDC 08 x 25
43	NQ804	NOZZLE/QDC 08 x 40
44	GLL30	MAINTENANCE LABEL 4 x 4 SC,SS,SM
45	VG200	TRIGGER GUN, INSULATED 4000psi
46	VW045	WAND 1/4" x 48" MOLDED GRIP
47	DQ04S	COUPLER 1/4 SOCK FEM
48	AVGH4	WAND 48" MOLDED GRIP, GUN, QC
49	DH057	HOSE 3/8 x 50 4000 PSI 250F
50	DQ76N	M22 COUPLER x 3/8 NPTF

**SERVICE PARTS NOT SHOWN**

	K169	VALVE KIT (1) REQUIRED
	90162500	PISTON OIL SEAL KIT (3) REQUIRED
	K171	SEAL KIT (1) REQUIRED
	K170	SEAL KIT WITH BRASS (3) REQUIRED
	66040309	PISTON KIT (3) REQUIRED
	MS185	OIL FILTER
	MS211	AIR FILTER
	ABMAG	OPERATION PACKET PRO LINE